
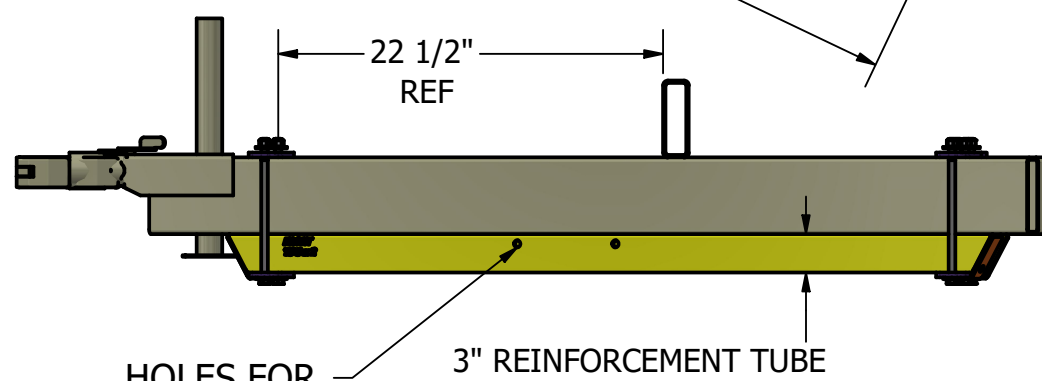
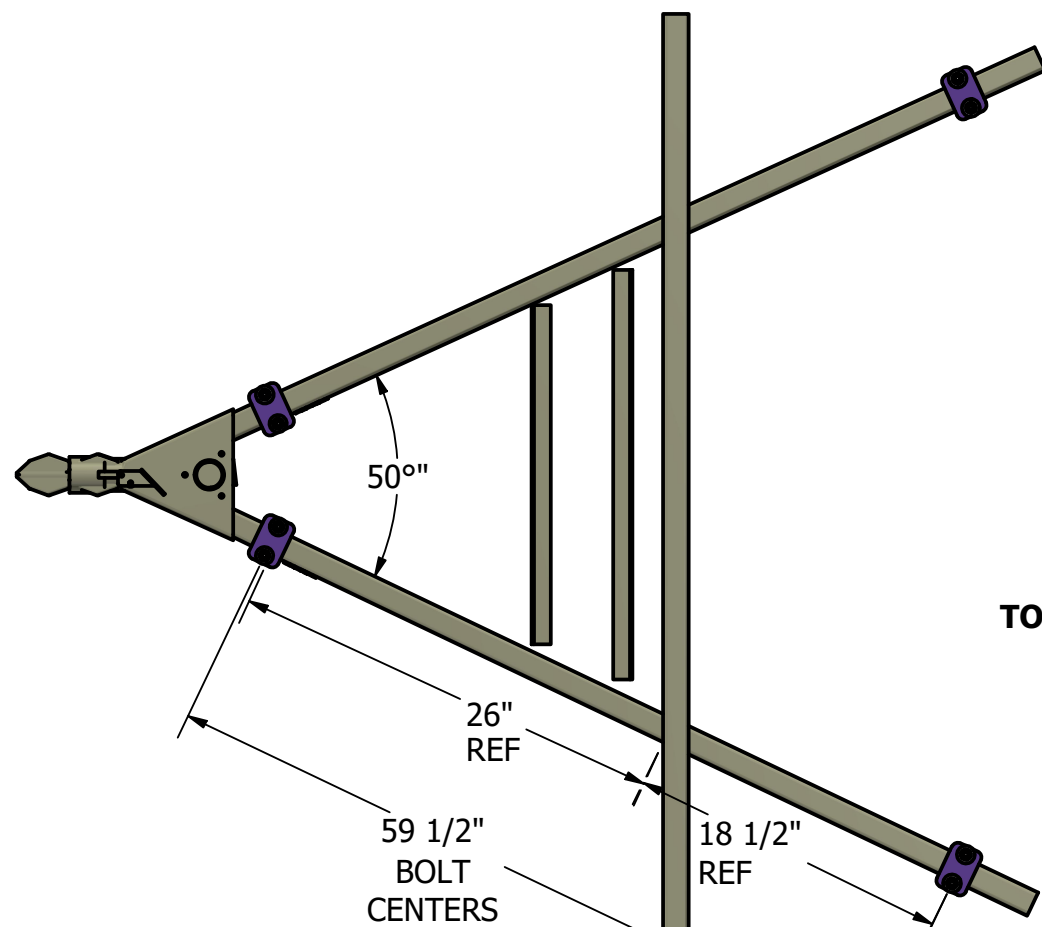
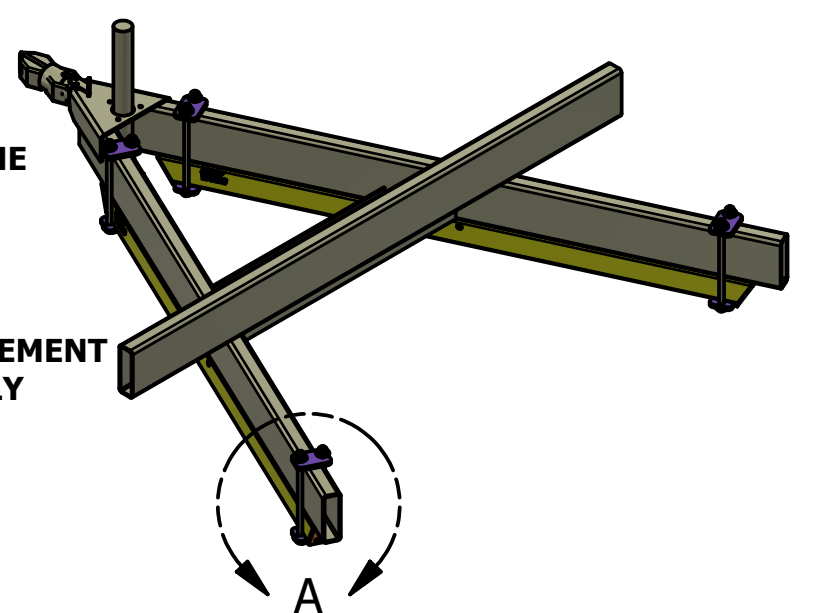
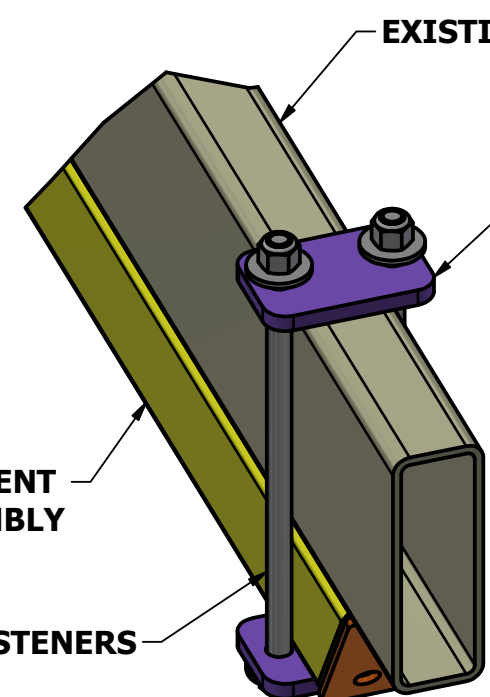


TONGUE REINFORCEMENT TUBE ASSEMBLY
QTY (2) PER ADAPTER HITCH OR STAND ALONE REINFORCEMENT APPLICATION

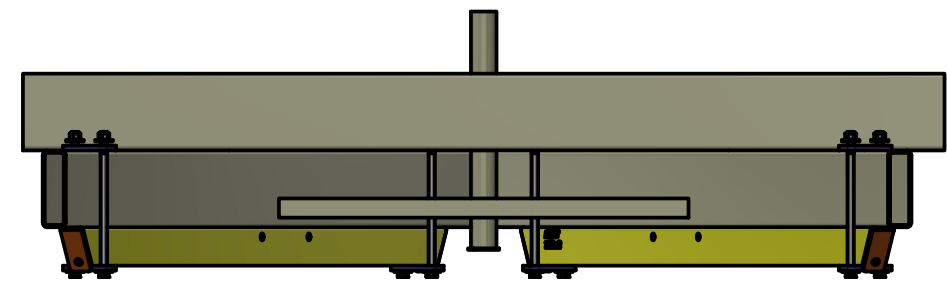
 <p>Folkman Inc "TURNING IDEAS INTO SOLUTIONS" "Service- Disabled Veteran- Owned Small Business" 1520 Cornell Rd. Green Bay, WI 54313 Ph (920) 544-9996 Fax (920)544-9918 www.folkmaninc.com</p> <p><small>The customer is responsible to check drawings and test design. Folkman Inc accepts no responsibility, liability, or warranty of fitness for the usage of these products. Folkman Inc only warranty for these products shall be as stated in Folkman Inc terms and conditions.</small></p>	Project:	TONGUE REINFORCMENT - CUSTOMER	Date:	6-14-22
	Client:		Drawn By:	JM
	General Contractor:		Scale:	
	Job/PO Number:		Weight:	
	Drawing Number:		Sheet Number:	1 OF 8



HOLES FOR
GOOSENECK ADAPTER
OPTION



- DRAWING INDEX:**
 SHEET 1 - ISO VIEW (CUSTOMER)
 SHEET 2 - COVER & INSTALL NOTES (CUSTOMER)
 SHEET 3 - PICTURES (CUSTOMER)
 SHEET 4 - BOM
 SHEET 5 - REINFORCEMENT TUBE
 SHEET 6 - REINFORCEMENT CAP
 SHEET 7 - REINFORCEMENT CLAMP
 SHEET 8 - REINFORCEMENT SPACER



TONGUE REINFORCEMENT TUBE ASSEMBLY
QTY (2) PER ADAPTER HITCH OR STAND ALONE REINFORCEMENT APPLICATION

INSTALL NOTES:

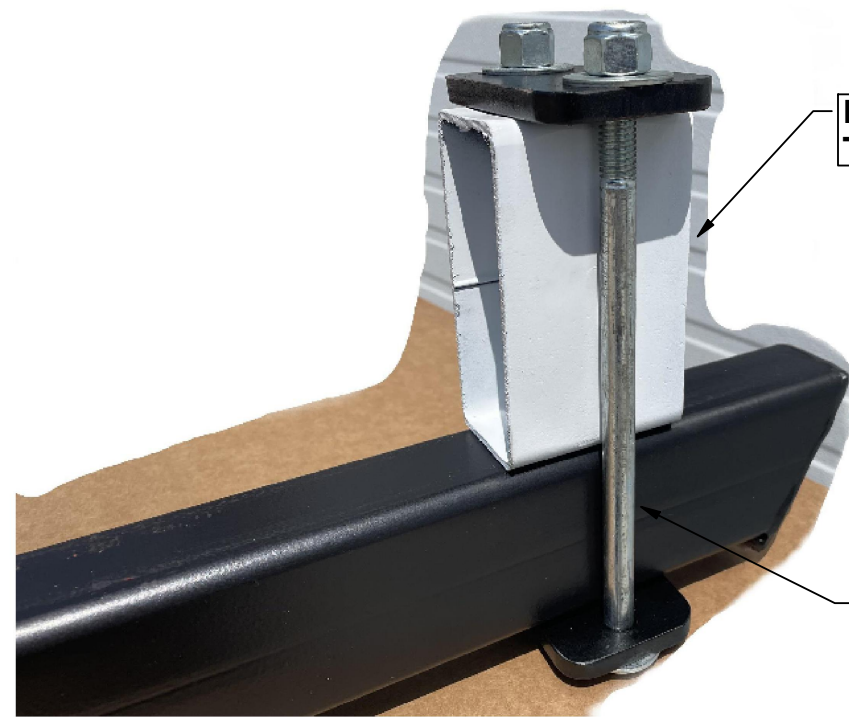
- BOTTOM OF **EXISTING TRAILER FRAME** MUST BE FREE OF WELDS, BOLT, OR ELECTRICAL
- BOTTOM OF **TRAILER FRAME** MUST BE FREE OF RUST.
- BOTTOM OF **TRAILER FRAME** MUST HAVE PRIMER / PAINT FOR **RUST PREVENTION** BETWEEN MATING SURFACES.
- NOTE **SIDE HOLE** ORIENTATION
- TORQUE BOLTS AS PER SPEC & RE CHECK PERIODICALLY

REV 3-14-22 AF

Folkman Inc
 "TURNING IDEAS INTO SOLUTIONS"
 "Service- Disabled Veteran- Owned Small Business"
 1520 Cornell Rd. Green Bay, WI 54313
 Ph (920) 544-9996 Fax (920)544-9918
 www.folkmaninc.com

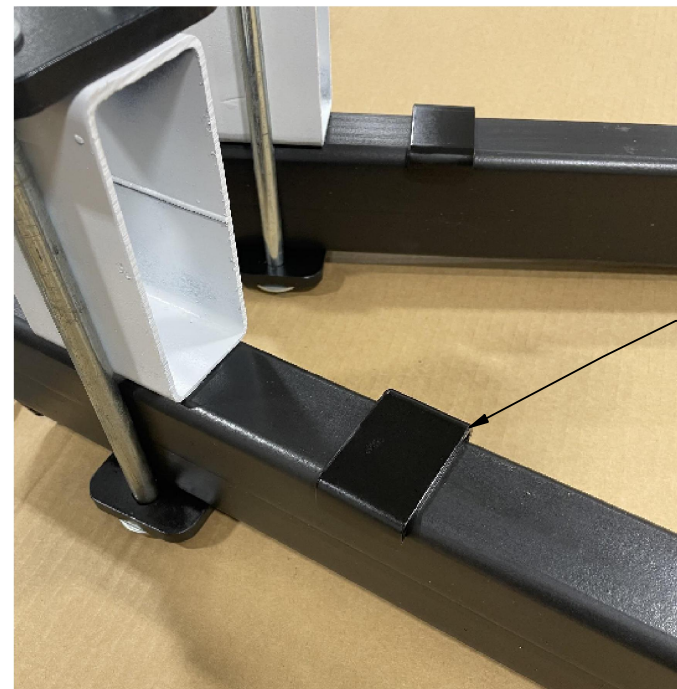
The customer is responsible to check drawings and test design. Folkman Inc accepts no responsibility, liability, or warranty of fitness for the usage of these products. Folkman Inc only warranty for these products shall be as stated in Folkman Inc terms and conditions.

Project:	TONGUE REINFORCEMENT	Date:	2-25-22
Client:		Drawn By:	AF
General Contractor:		Scale:	
Job/PO Number:		Weight:	
Drawing Number:		Sheet Number:	2 OF 8



REPRESENTS EXISTING TRAILER FRAME

SUPPLIED WITH GRADE 8 FASTENERS



FOUR SPACER CLIPS INCLUDED TO CLEAR OBSTRUCTIONS ON THE BOTTOM OF EXISTING TRAILER FRAME

Folkman Inc
 "TURNING IDEAS INTO SOLUTIONS"
 "Service- Disabled Veteran- Owned Small Business"
 1520 Cornell Rd. Green Bay, WI 54313
 Ph (920) 544-9996 Fax (920)544-9918
 www.folkmaninc.com

The customer is responsible to check drawings and test design. Folkman Inc accepts no responsibility, liability, or warranty of fitness for the usage of these products. Folkman Inc only warranty for these products shall be as stated in Folkman Inc terms and conditions.

Project:	TONGUE REINFORCEMENT	Date:	6-14-22
Client:		Drawn By:	JM
General Contractor:		Scale:	
Job/PO Number:		Weight:	
Drawing Number:		Sheet Number:	3 OF 8