

INDEX

- SHEET 1 - COVER SHEET BOM/PACKING LIST (CUSTOMER)
- SHEET 2 - SIDE VIEW NEW FRAME & BED EXAMPLE (CUSTOMER)
- SHEET 3 - PLAN VIEW FOLKMAN BED W/HITCH OPTIONS (CUSTOMER)
- SHEET 4 - FRAME PROFILE & DESIGN CRITERIA
- SHEET 5 - FRAME EXTENSION FLAT PATTERN
- SHEET 6 - TAIL SCRIBE /CUT OFF TEMPLATE
- SHEET 7 - MAIN CROSS MEMBER
- SHEET 8 - SPLICE CROSS MEMBER
- SHEET 9 - FRAME SPLICE/MOUNT PLATE

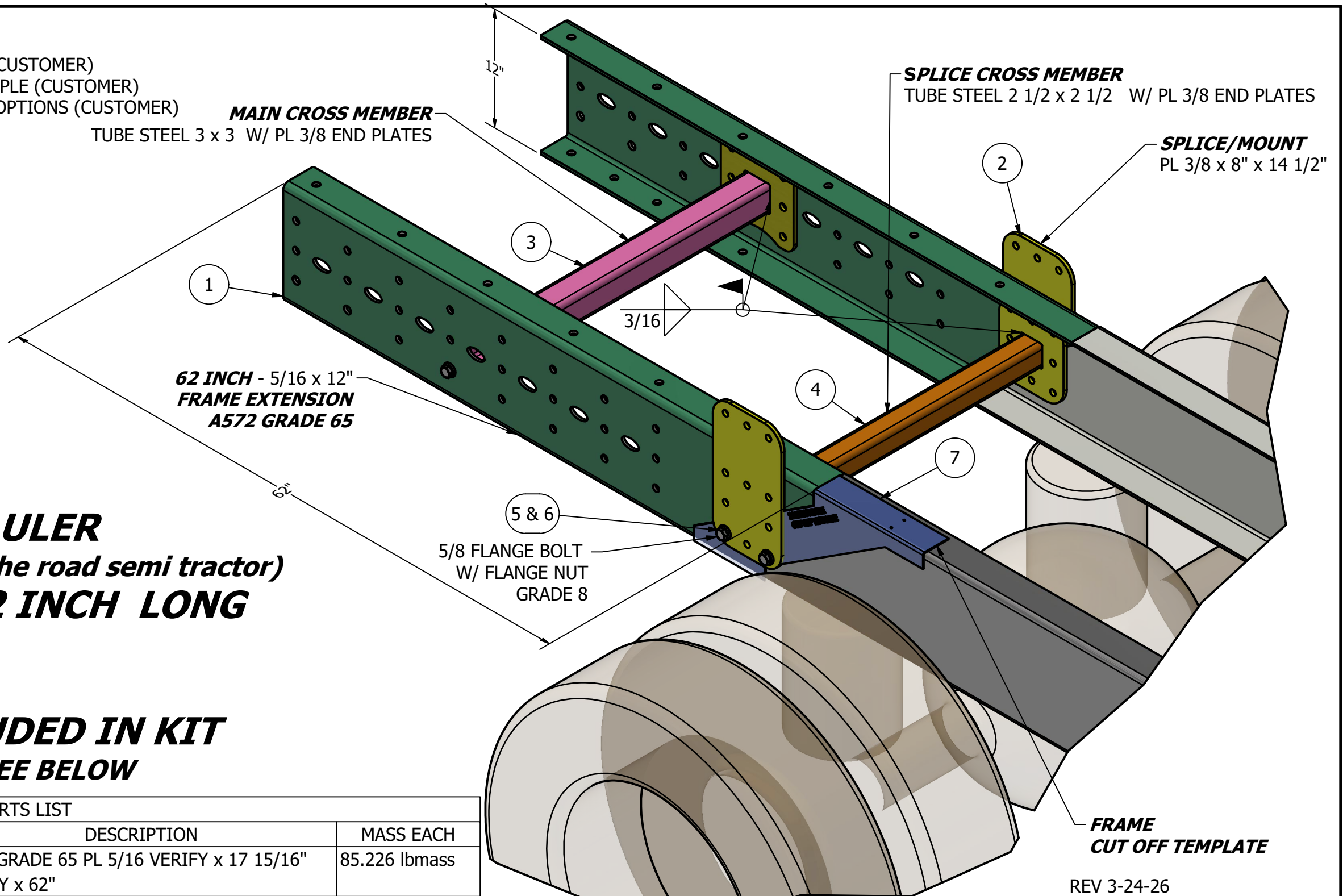
FOLKMAN HDT/RV HAULER
(easy DIY conversion of a off the road semi tractor)
- 12 INCH FRAME x 62 INCH LONG
EXTENSION KIT
kit weight 290 LBS

INCLUDED IN KIT
SEE BELOW

FINISH: PRIMED RED OXIDE

PARTS LIST

ITEM	QTY	PART NUMBER	DESCRIPTION	MASS EACH
1	2	62 INCH FRAME EXTENSION LEFT & RIGHT	A572 GRADE 65 PL 5/16 VERIFY x 17 15/16" VERIFY x 62"	85.226 lbmass
2	2	FRAME SPLICE & MOUNT PLATE	PL 3/8 x 8" x 14 1/2"	11.597 lbmass
3	1	FRAME CROSS MEMBER - MAIN	TS 3 x 3 W/ PL 3/8 END PLATES	35.795 lbmass
4	1	FRAME CROSSMEMBER - SPICE	TS 2 1/2 x 2 1/2 W/ PL 3/8 END PLATES	30.428 lbmass
5	28	FLANGE BOLT - YELLOW ZINC	5/8-11 x 2" GRADE 8 #117057	0.340 lbmass
6	28	FLANGE NUT - YELLOW ZINC	5/8-11 GRADE 8 #11635974	0.104 lbmass
7	2	12 INCH TRACTOR FRAME - CUT OFF TEMPLATE - LEFT & RIGHT	SH 12GA x 14 15/16" x 26 3/4"	4.331 lbmass

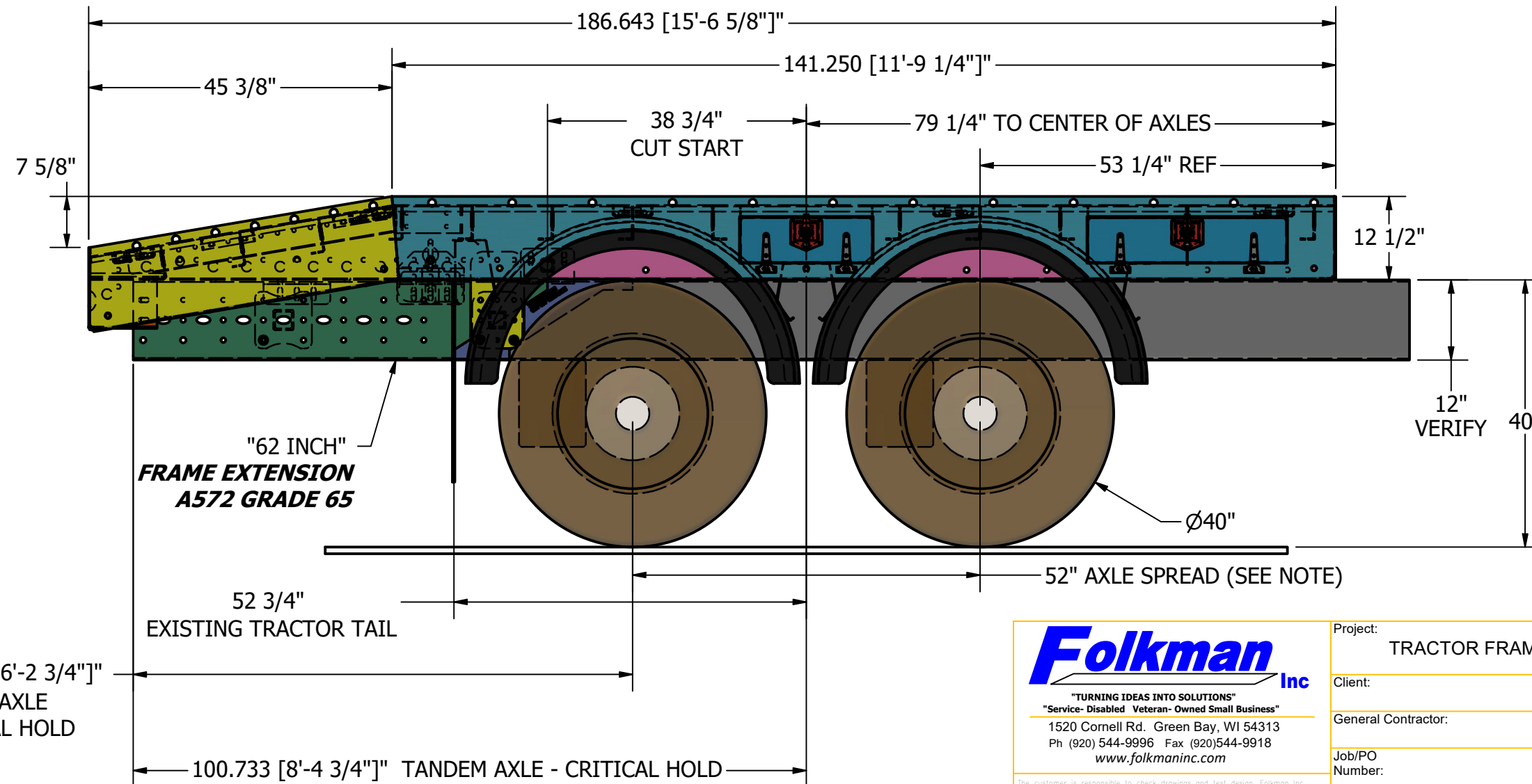
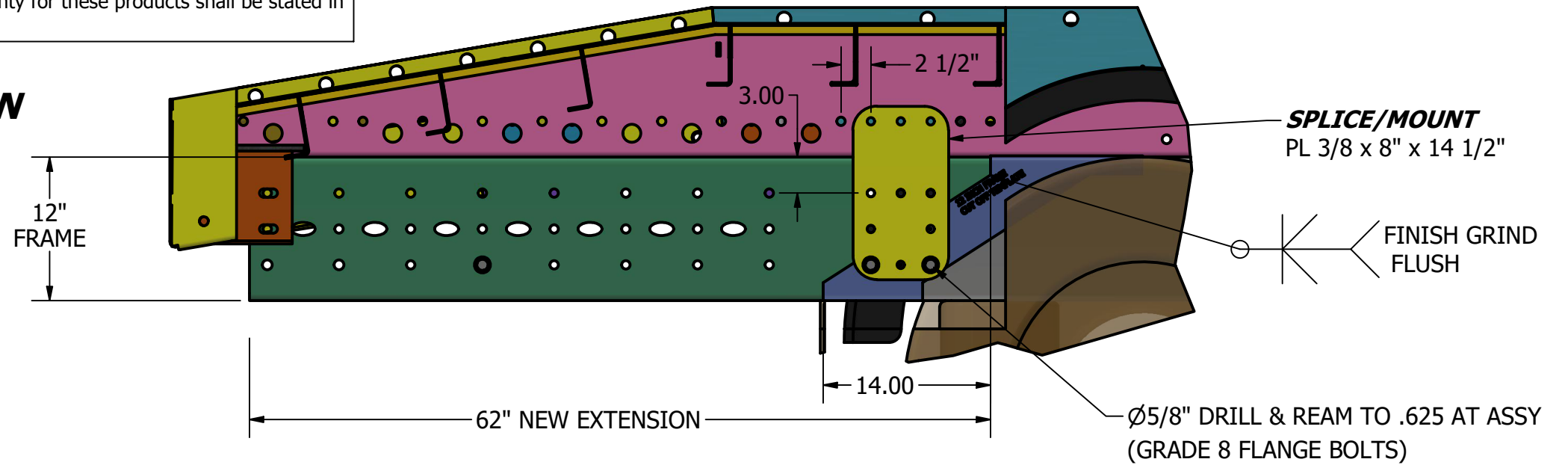


Project:	DIY HDT / RV HAULER TRACTOR FRAME EXTENSION KIT	Date:	3-19-26
Client:		Drawn By:	AF
General Contractor:		Scale:	
Job/PO Number:		Weight:	
Drawing Number:		Sheet Number:	1 OF 9

The customer is responsible to check drawings and test design. **Folkman Inc** accepts no responsibility, liability, or warranty of fitness for the usage of these products. **Folkman Inc** only warranty for these products shall be stated in **Folkman Inc** terms and conditions.


12 INCH x 62 INCH FRAME EXTENSION EXAMPLE

FOLKMAN DIY HDT/RV HAULER 15 FT TANDEM BED



- NOTE:
- BED 100" WIDE
 - TRACTOR FRAME OD 33 1/2"
 - BED WHEEL WELL CENTERS 52"

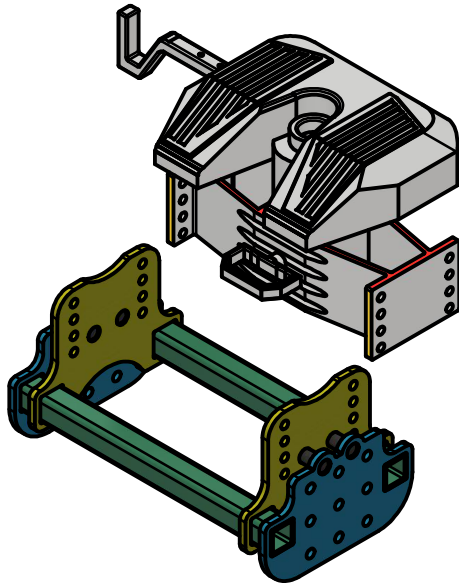
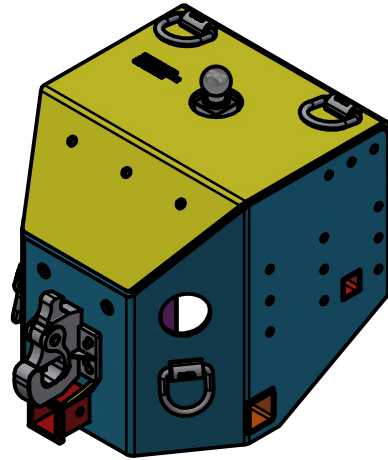
62" FRAME EXTENSION KIT
CAN HANDLE AN **AXLE SPREAD**
BETWEEN 51" & 53"

 <p>Folkman Inc "TURNING IDEAS INTO SOLUTIONS" "Service-Disabled Veteran-Owned Small Business" 1520 Cornell Rd. Green Bay, WI 54313 Ph (920) 544-9996 Fax (920) 544-9918 www.folkmaninc.com</p> <p><small>The customer is responsible to check drawings and test design. Folkman Inc accepts no responsibility, liability, or warranty of fitness for the usage of these products. Folkman Inc only warranty for these products shall be as stated in Folkman Inc terms and conditions.</small></p>	Project:	TRACTOR FRAME EXTENSION	Date:	3-17-26
	Client:		Drawn By:	AF
	General Contractor:		Scale:	
	Job/PO Number:		Weight:	
	Drawing Number:		Sheet Number:	2 OF 9

**BOLT - IN OPTIONS
FOR BED & FRAME RAIL EXTENSION KIT**

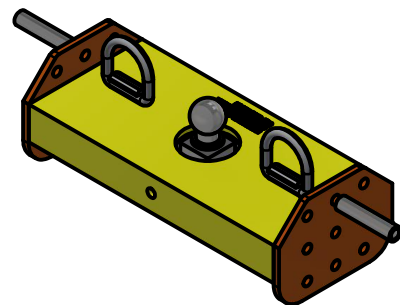
RECEIVER, 5TH WHEEL, GOOSENECK BALL
(ATTACH TO **FOLKMAN** SOLID TRACK SYSTEM NOT SHOWN)
NOTE: ALL THREE ITEMS FIT IN **BED OPENING** AT THE SAME TIME

FOLKMAN SOLID RECEIVER
HITCH BOX W/PINTLE HITCH
& GOOSE NECK BALL



FOLKMAN SOLID 5TH WHEEL
MOUNT W/CUSTOMER SUPPLIED
30K CURT 5TH WHEEL HEAD
(#C56WR E-TRAILER)

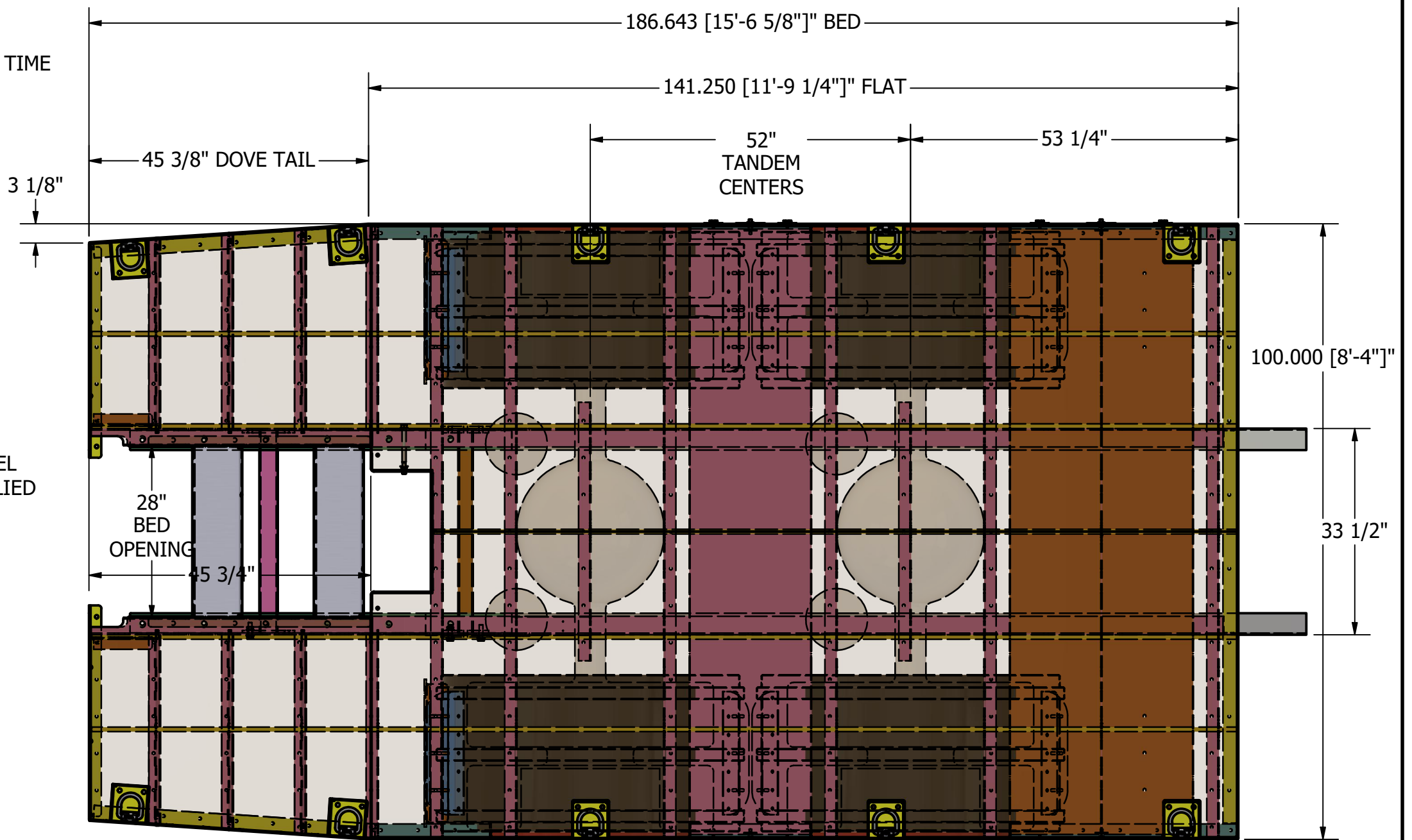
FOLKMAN SOLID
GOOSE NECK BALL MOUNT




AIR RIDE 5TH WHEEL BOLT IN OPTION
CUSTOMER SUPPLIED
ET-S1-135 (SUPER SENIOR)
OR
ET-S4-250 (SENIOR)



FOR MORE INFORMATION, SEE SEPARATE **FOLKMAN** SALES FLYER FOR EACH ITEM



 <p>Folkman Inc "TURNING IDEAS INTO SOLUTIONS" "Service-Disabled Veteran-Owned Small Business" 1520 Cornell Rd. Green Bay, WI 54313 Ph (920) 544-9996 Fax (920) 544-9918 www.folkmaninc.com</p> <p><small>The customer is responsible to check drawings and test design. Folkman Inc accepts no responsibility, liability, or warranty of fitness for the usage of these products. Folkman Inc only warranty for these products shall be as stated in Folkman Inc terms and conditions.</small></p>	Project:	TRACTOR FRAME EXTENSION	Date:	3-23-26
	Client:		Drawn By:	AF
	General Contractor:		Scale:	
	Job/PO Number:		Weight:	
	Drawing Number:		Sheet Number:	3 OF 9